

# Fittings - PVDF

PVDF



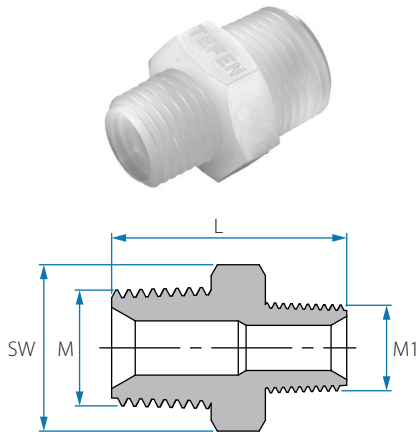
**Working pressure**  
Up to 14 BAR  
(200 psi) at 20 °C



**Temperature**  
-20 °C - 120 °C  
(subject to application)



**Fittings' dimensions**  
refer to tube ID or OD, with respect  
to the common application.



## BSPT Pipe Reducing Nipple

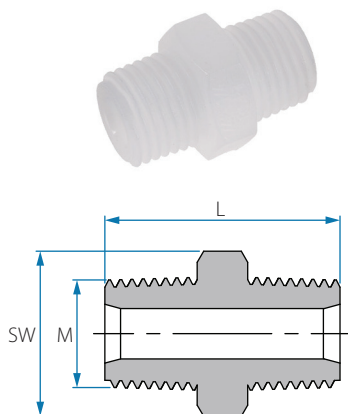
Cat. No.	M (BSPT)	M1 (BSPT)	L mm	SW	Color
12052304021	1/4"	1/8"	25.2	14	○ White
12052306021	3/8"	1/8"	27.1	17	
12052308021	1/2"	1/8"	29.3	22	
12052306041	3/8"	1/4"	28.5	17	
12052308041	1/2"	1/4"	31.5	22	
12052308061	1/2"	3/8"	32.3	22	
12052312081	3/4"	1/2"			

Note: Packing 25 unit

## NPT Pipe Reducing Nipple

Cat. No.	M (NPT)	M1 (NPT)	L mm	SW	Color
12062304021	1/4"	1/8"	28.4	14	○ White
12062306021	3/8"	1/8"	29.6	17	
12062308021	1/2"	1/8"	34.9	22	
12062312021	3/4"	1/8"	35.4	27	
12062306041	3/8"	1/4"	33.4	17	
12062308041	1/2"	1/4"	38.7	22	
12062312041	3/4"	1/4"	39.4	27	
12062308061	1/2"	3/8"	39.1	22	
12062312061	3/4"	3/8"	39.6	27	
12062312081	3/4"	1/2"	44.1	27	

Note: Packing 25 unit



## BSPT Pipe Hex Nipple

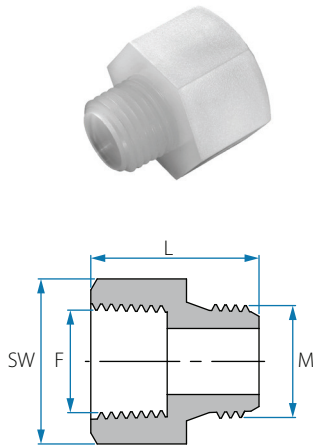
Cat. No.	M (BSPT)	L mm	SW	Color
12052202021	1/8"	22.9	11	○ White
12052204041	1/4"	28.2	14	
12052206061	3/8"	27.7	17	
12052208081	1/2"	34.1	22	
12052212121	3/4"			

Note: Packing 25 unit

## NPT Pipe Hex Nipple

Cat. No.	M (NPT)	L mm	SW	Color
12062202021	1/8"	23.7	11	○ White
12062204041	1/4"	32.3	14	
12062206061	3/8"	34.4	17	
12062208081	1/2"	43.3	22	
12062212121	3/4"	43.9	27	

Note: Packing 25 unit



## BSPT Pipe Adaptor

Cat. No.	F (BSPT)	M (BSPT)	L mm	SW	Color
12052002021	1/8"	1/8"	23.0	14	○ White
12052002041	1/8"	1/4"	23.0	14	
12052002061	1/8"	3/8"	24.0	14	
12052002081	1/8"	1/2"	26.9	14	
12052004021	1/4"	1/8"	22.1	17	
12052004041	1/4"	1/4"	24.0	17	
12052004061	1/4"	3/8"	24.8	17	
12052004081	1/4"	1/2"	27.2	17	
12052006021	3/8"	1/8"	23.1	22	
12052006041	3/8"	1/4"	25.2	22	
12052006061	3/8"	3/8"	25.7	22	
12052006081	3/8"	1/2"	28.2	22	
12052008021	1/2"	1/8"	25.6	26	
12052008041	1/2"	1/4"	27.3	26	
12052008061	1/2"	3/8"	28.0	26	
12052008081	1/2"	1/2"	30.6	26	

Note: Packing 25 unit

## NPT Pipe Adaptor

Cat. No.	F (NPT)	M (NPT)	L mm	SW	Color
12062002021	1/8"	1/8"	23.4	14	○ White
12062002041	1/8"	1/4"	23.4	14	
12062002061	1/8"	3/8"	27.4	14	
12062002081	1/8"	1/2"	32.5	14	
12062004021	1/4"	1/8"	26.5	17	
12062004041	1/4"	1/4"	30.7	17	
12062004061	1/4"	3/8"	30.5	17	
12062004081	1/4"	1/2"	35.5	17	
12062006021	3/8"	1/8"	26.3	22	
12062006041	3/8"	1/4"	26.5	22	
12062006061	3/8"	3/8"	30.4	22	
12062006081	3/8"	1/2"	35.5	22	
12062008021	1/2"	1/8"	30.0	26	
12062008041	1/2"	1/4"	34.0	26	
12062008061	1/2"	3/8"	36.6	26	
12062008081	1/2"	1/2"	39.0	26	

Note: Packing 25 unit

# Fittings - PVDF

PVDF



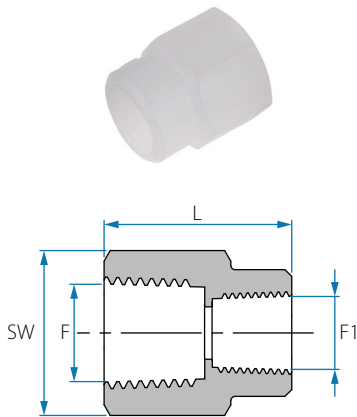
**Working pressure**  
Up to 14 BAR  
(200 psi) at 20 °C



**Temperature**  
-20 °C - 120 °C  
(subject to application)



**Fittings' dimensions**  
refer to tube ID or OD, with respect to  
the common application.



## BSPT Pipe Reducing Coupling

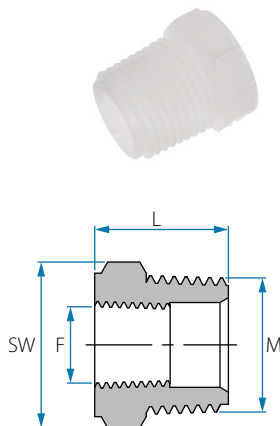
Cat. No.	F (BSPT)	F1 (BSPT)	L mm	SW	Color
12051904021	1/4"	1/8"	22.0	17	○ White
12051906021	3/8"	1/8"	24.2	21	
12051906041	3/8"	1/4"	24.2	21	
12051908041	1/2"	1/4"	27.0	26	
12051908061	1/2"	3/8"	27.0	26	
12051912041	3/4"	1/4"	29.7	35	
12051912081	3/4"	1/2"	34.6	35	

Note: Packing 25 unit

## NPT Pipe Reducing Coupling

Cat. No.	F (NPT)	F1 (NPT)	L mm	SW	Color
12061904021	1/4"	1/8"	22.0	17	○ White
12061906021	3/8"	1/8"	24.2	22	
12061906041	3/8"	1/4"	24.8	22	
12061908041	1/2"	1/4"	27.0	26	
12061908061	1/2"	3/8"	26.8	26	

Note: Packing 25 unit



## BSPT Pipe Bushing

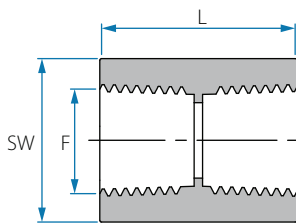
Cat. No.	M (BSPT)	F (BSPT)	L mm	SW	Color
12051004021	1/4"	1/8"	17.2	14	○ White
12051006021	3/8"	1/8"	17.8	17	
12051006041	3/8"	1/4"	17.8	17	
12051008021	1/2"	1/8"	20.4	22	
12051008041	1/2"	1/4"	20.4	22	
12051008061	1/2"	3/8"	20.7	22	
12051012041	3/4"	1/4"	22	27	
12051012061	3/4"	3/8"	22.2	27	
12051012081	3/4"	1/2"	22.2	27	

Note: Packing 25 unit

## NPT Pipe Bushing

Cat. No.	M (NPT)	F (NPT)	L mm	SW	Color
12061004021	1/4"	1/8"	21.0	14	○ White
12061006021	3/8"	1/8"	20.8	18	
12061006041	3/8"	1/4"	20.8	18	
12061008021	1/2"	1/8"	26.8	24	
12061008041	1/2"	1/4"	27.2	24	
12061008061	1/2"	3/8"	27.1	24	
12061012041	3/4"	1/4"	27.0	29	
12061012061	3/4"	3/8"	27.2	29	
12061012081	3/4"	1/2"	27.1	29	

Note: Packing 25 unit



## BSPT Female Pipe Coupling

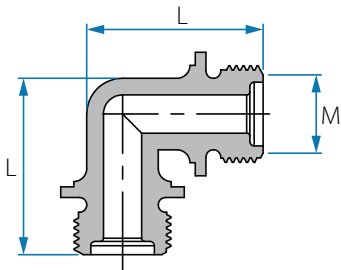
Cat. No.	F (BSPT)	L mm	SW	Color
12050302021	1/8"	19.8	14	○ White
12050304041	1/4"	23.3	17	
12050306061	3/8"	24.5	21	
12050308081	1/2"	29.3	26	
12050312121	3/4"	37.7	34	

Note: Packing 25 unit

## NPT Female Pipe Coupling

Cat. No.	F (NPT)	L mm	SW	Color
12060302021	1/8"	19.7	14	○ White
12060304041	1/4"	23.3	17	
12060306061	3/8"	24.6	21	
12060308081	1/2"	29.2	26	

Note: Packing 25 unit



## BSPT Threaded Elbow

Cat. No.	M (BSPT)	L mm	Color
12056502001	1/8"	24.4	○ White
12056504001	1/4"	26.4	
12056506001	3/8"	31.8	
12056508001	1/2"	40.2	

Note: Packing 25 unit

## NPT Threaded Elbow

Cat. No.	M (NPT)	L mm	Color
12066502001	1/8"	23.8	○ White
12066504001	1/4"	28.4	

Note: Packing 25 unit

# Fittings - PVDF

PVDF



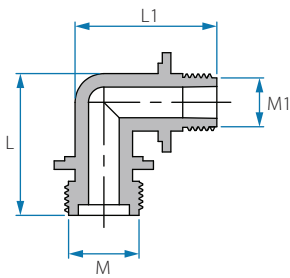
**Working pressure**  
Up to 14 BAR  
(200 psi) at 20 °C



**Temperature**  
-20 °C - 120 °C  
(subject to application)



**Fittings' dimensions**  
refer to tube ID or OD, with respect to  
the common application.



## BSPT Reducing Threaded Elbow

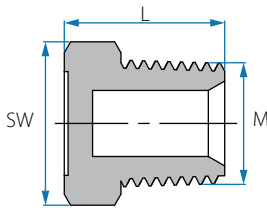
Cat. No.	M (BSPT)	M1 (BSPT)	L mm	L1 mm	Color
12056904021	1/4"	1/8"	26.4	24.4	○ White
12056906041	3/8"	1/4"	31.8	31.5	
12056908061	1/2"	3/8"	40.0	38.1	

Note: Packing 25 unit

## NPT Reducing Threaded Elbow

Cat. No.	M (NPT)	M1 (NPT)	L mm	L1 mm	Color
12066904021	1/4"	1/8"	28.4	24.0	○ White

Note: Packing 25 unit



## BSPT Hex Threaded Plug

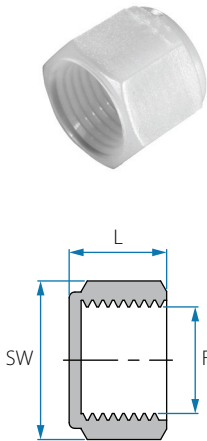
Cat. No.	M (BSPT)	L mm	SW	Color
12052102001	1/8"	13.5	12	○ White
12052104001	1/4"	16.3	15	
12052106001	3/8"	16.0	18	
12052108001	1/2"	19.6	22	
12052112001	3/4"	22.0	27	
12052116001	1"	27.0	36	

Note: Packing 25 unit

## NPT Hex Threaded Plug

Cat. No.	M (NPT)	L mm	SW	Color
12062102001	1/8"	14.7	11	○ White
12062104001	1/4"	19.4	14	
12062106001	3/8"	20.4	17	
12062108001	1/2"	25.6	22	
12062112001	3/4"	26.0	27	

Note: Packing 25 unit



## BSPT Pipe Cap

Cat. No.	F (BSPT)	L mm	SW	Color
12050802001	1/8"	10.4	13	○ White
12050804001	1/4"	14.2	17	
12050806001	3/8"	14.2	20	
12050808001	1/2"	17.1	24	
12050812001	3/4"	17.1	30	

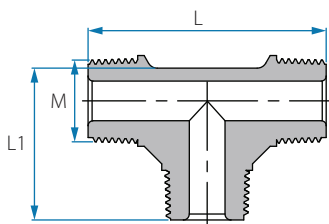
Note: Packing 25 unit



## BSPT Threaded T Connector

Cat. No.	M (BSPT)	L mm	L1 mm	Color
12056402001	1/8"	39.8	24.1	○ White
12056404001	1/4"	44.0	26.2	
12056406001	3/8"	50.5	32.0	
12056408001	1/2"	64.0	40.3	

Note: Packing 25 unit



## NPT Threaded T Connector

Cat. No.	M (NPT)	L mm	L1 mm	Color
12066402001	1/8"	39.3	24.0	○ White
12066404001	1/4"	48.4	28.5	

Note: Packing 25 unit

# Fittings - PVDF

PVDF



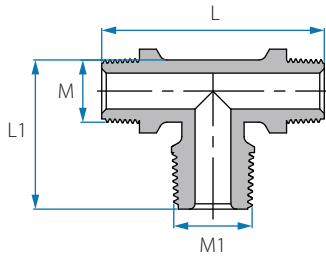
**Working pressure**  
Up to 14 BAR  
(200 psi) at 20 °C



**Temperature**  
-20 °C - 120 °C  
(subject to application)



**Fittings' dimensions**  
refer to tube ID or OD, with respect to  
the common application.



## BSPT Reducing Threaded T

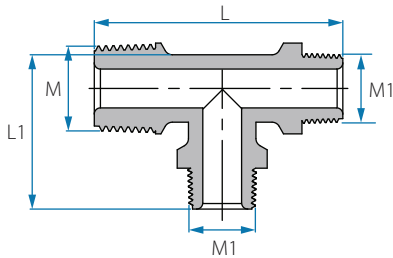
Cat. No.	M (BSPT)	M1 (BSPT)	L mm	L1 mm	Color
12057102041	1/8"	1/4"	39.7	26.4	○ White
12057104021	1/4"	1/8"	43.3	24.2	
12057104061	1/4"	3/8"	38.2	43.3	
12057106041	3/8"	1/4"	60.2	26.4	
12057108061	1/2"	3/8"	64.2	38.2	
12057106081	3/8"	1/2"	60.2	40.4	

Note: Packing 25 unit

## NPT Reducing Threaded T

Cat. No.	M (NPT)	M1 (NPT)	L mm	L1 mm	Color
12067104021	1/4"	1/8"	48.4	24.0	○ White

Note: Packing 25 unit



## BSPT Reducing Threaded Run T

Cat. No.	M (BSPT)	M1 (BSPT)	L mm	L1 mm	Color
12057204021	1/4"	1/8"	41.8	26.3	○ White
12057206041	3/8"	1/4"	48.3	30.8	
12057208061	1/2"	3/8"	62.0	40.0	
12057202041	1/8"	1/4"	42.7	25.5	
12057204061	1/4"	3/8"	48.5	31.0	
12057206081	3/8"	1/2"	62.0	38.2	

Note: Packing 25 unit

## NPT Reducing Threaded Run T

Cat. No.	M (NPT)	M1 (NPT)	L mm	L1 mm	Color
12067204021	1/4"	1/8"	41.8	26.3	○ White

Note: Packing 25 unit