

# Fittings - PVDF

PVDF



**Working pressure**  
Up to 14 BAR  
(200 psi) at 20 °C



**Temperature**  
-20 °C - 120 °C  
(subject to application)

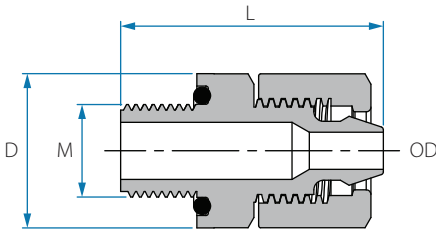
**Fittings' dimensions**  
refer to tube ID or OD, with respect  
to the common application.



## Male Barb Block Connector (with O-Ring)

Cat. No.	Tube OD mm	M (BSPP)	L mm	D mm	Color	O-ring
22F56846021	6	1/8"	272	16.0	White	Silicone
22F56846041	6	1/4"	30.9	19.4	White & Navy Blue	Silicone
22F56848021	8	1/8"	273	16.0		
22F56848041	8	1/4"	31.1	19.3		
22F56850021	10	1/8"	272	16.0		
22F56850041	10	1/4"	31.0	19.4		

Note: Packing 25 unit  
\* Nuts material is Reinforced PP



Cat. No.	Tube OD Inch	M (BSPP)	L mm	D mm	Color	O-ring
22F56804021	1/4"	1/8"	271	16.0	White	Silicone
22F56804041	1/4"	1/4"	30.9	19.4	White & Navy Blue	

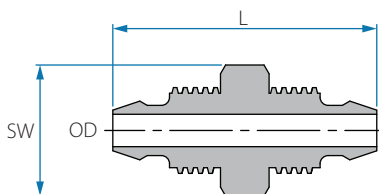
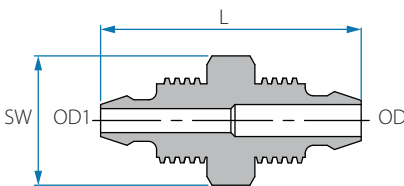
Note: Packing 25 unit  
\* Nuts material is Reinforced PP



## Reducing Barb Block Connector

Cat. No.	Tube OD mm	OD1 mm	L mm	SW	Color
22055648461	8	6	32.7	14	White
Cat. No.	Tube OD inch	OD1 inch	L mm	SW	Color
22255605041	5/16"	1/4"	32.7	14	White & Navy Blue

Note: Packing 25 unit  
\* Nuts material is Reinforced PP

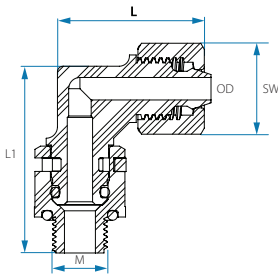


## Union Barb Block Connector

Cat. No.	Tube OD mm	L mm	SW	Color
22056246001	6	32.7	14	White
22056248001	8	32.7	14	White & Navy Blue
22056252001	12	40.6	19	
Cat. No.	Tube OD inch	L mm	SW	
22256204001	1/4"	32.7	14	White & Navy Blue
22256205001	5/16"	32.7	14	
22256208001	1/2"	40.6	19	

Note: Packing 25 unit  
\* Nuts material is Reinforced PP

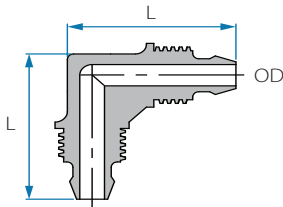
**NEW**



### Union Elbow Swivel Connector

Cat. No.	Tube OD mm	M	L mm	L1	SW	O-ring	Color
22566948021	8	1/8"	273	33.2	16	Viton	○ White
22566948041	8	1/4"	273	33.2	16	Viton	○ White

Cat. No.	Tube OD mm	M	L mm	L1	SW	O-ring	Color
22566948021	8	1/8"	273	33.2	16	Viton	◐ White & Navy Blue
22566948041	8	1/4"	273	33.2	16	Viton	◐ White & Navy Blue



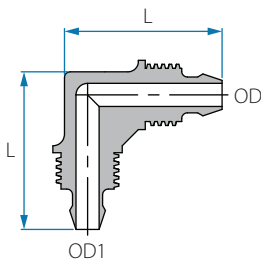
### Union Elbow Barb Block Connector

Cat. No.	Tube OD mm	L mm	Color
22056546001	6	274	○ White
22056548001	8	274	○ White
22056552001	12	405	○ White

Cat. No.	Tube OD inch	L mm	Color
22256504001	1/4"	274	◐ White & Navy Blue
22256505001	5/16"	274	◐ White & Navy Blue
22256508001	1/2"	405	◐ White & Navy Blue

Note: Packing 25 unit

\* Nuts material is Reinforced PP



### Reducing Elbow Barb Block Connector

Cat. No.	Tube OD mm	OD1 mm	L mm	Color
22055748461	8	6	273	○ White

Note: Packing 25 unit

\* Nuts material is Reinforced PP

# Fittings - PVDF

PVDF



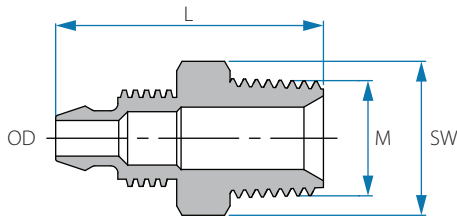
**Working pressure**  
Up to 14 BAR  
(200 psi) at 20 °C



**Temperature**  
-20 °C - 120 °C  
(subject to application)



**Fittings' dimensions**  
refer to tube ID or OD, with respect  
to the common application.



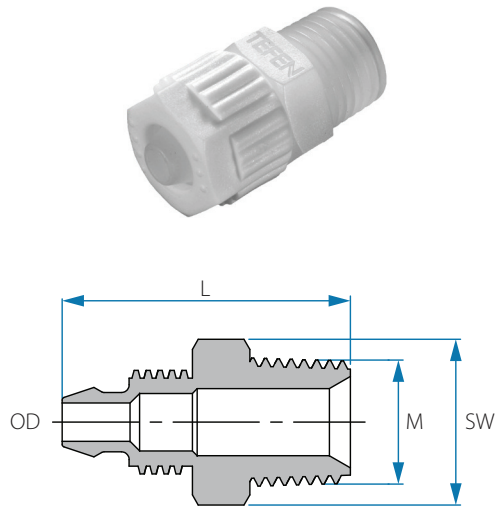
## Male BSPT Barb Block Connector

Cat. No.	Tube OD mm	M (BSPT)	L mm	SW	Color
22056846021	6	1/8"	27.5	13	○ White
22056846041	6	1/4"	29.7	15	
22056846061	6	3/8"	32.5	17	
22056846081	6	1/2"	35.5	22	
22056846121	6	3/4"	35.5	27	
22056848021	8	1/8"	27.6	13	
22056848041	8	1/4"	29.5	15	
22056848061	8	3/8"	31.4	18	
22056848081	8	1/2"	36.1	22	
22056848121	8	3/4"	26.1	27	
22056850041	10	1/4"	36.1	17	
22056850061	10	3/8"	35.8	17	
22056850081	10	1/2"	38.9	22	
22056850121	10	3/4"	38.9	27	
22056852041	12	1/4"	37.3	17	
22056852061	12	3/8"	37.3	17	
22056852081	12	1/2"	40.1	22	
22056852121	12	3/4"	40.1	27	

Cat. No.	Tube OD inch	M (BSPT)	L mm	SW	Color
22056804021	1/4"	1/8"	27.5	13	○ White & Navy Blue
22056804041	1/4"	1/4"	29.7	15	
22056804061	1/4"	3/8"	32.5	18	
22056804081	1/4"	1/2"	35.5	22	
22056804121	1/4"	3/4"	35.5	27	
22056805021	5/16"	1/8"	27.6	13	
22056805041	5/16"	1/4"	29.5	15	
22056805061	5/16"	3/8"	31.4	18	
22056806041	3/8"	1/4"	36.1	17	
22056806061	3/8"	3/8"	36.6	17	
22056806081	3/8"	1/2"	35.8	22	
22056806121	3/8"	3/4"	35.8	27	
22056808041	1/2"	1/4"	38.9	14	
22056808061	1/2"	3/8"	39.7	17.5	
22056808081	1/2"	1/2"	37.3	22	
22056808121	1/2"	3/4"	40.1	27	

Note: Packing 25 unit

\* Nuts material is Reinforced PP



## Male NPT Barb Block Connector

Cat. No.	Tube OD inch	M (NPT)	L mm	SW	Color
22256804021	1/4"	1/8"	29.4	13	<input type="checkbox"/> White <input type="checkbox"/> Grey
22256804041	1/4"	1/4"	34.0	15	
22256804061	1/4"	3/8"	35.1	18	
22256804081	1/4"	1/2"	40.2	22	
22256804121	1/4"	3/4"	41.0	27	
22256805021	5/16"	1/8"	29.4	13	
22256805041	5/16"	1/4"	34.0	15	
22256805061	5/16"	3/8"	35.1	18	
22256805081	5/16"	1/2"	40.2	22	
22256805121	5/16"	3/4"	41.0	27	
22256806041	3/8"	1/4"	37.6	15	
22256806061	3/8"	3/8"	38.6	18	
22256806081	3/8"	1/2"	43.7	22	
22256806121	3/8"	3/4"	44.4	27	
22256808041	1/2"	1/4"	38.8	15	
22256808061	1/2"	3/8"	40.0	18	
22256808081	1/2"	1/2"	45.0	22	
22256808121	1/2"	3/4"	45.8	18	

Note: Packing 25 unit

\* Nuts material is Reinforced PP

# Fittings - PVDF

PVDF



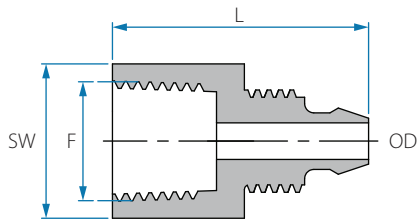
**Working pressure**  
Up to 14 BAR  
(200 psi) at 20 °C



**Temperature**  
-20 °C - 120 °C  
(subject to application)



**Fittings' dimensions**  
refer to tube ID or OD, with respect  
to the common application.



## Female BSPT Barb Block Connector

Cat. No.	Tube OD mm	F (BSPT)	L mm	SW	Color
22056646021	6	1/8"	26.3	14	○ White
22056646041	6	1/4"	27.8	17	
22056648021	8	1/8"	26.3	14	
22056648041	8	1/4"	28.0	17	
22056648061	8	3/8"	30.6	22	
22056648081	8	1/2"	32.5	26	
22056650041	10	1/4"	31.7	17	
22056650061	10	3/8"	33.0	22	
22056650081	10	1/2"	35.1	26	

Cat. No.	Tube OD inch	F (BSPT)	L mm	SW	Color
22056604021	1/4"	1/8"	26.3	14	○ White & Navy Blue
22056604041	1/4"	1/4"	27.8	17	
22056605021	5/16"	1/8"	26.3	14	
22056605041	5/16"	1/4"	28.0	17	
22056605061	5/16"	3/8"	30.6	22	
22056605081	5/16"	1/2"	32.5	26	
22056606041	3/8"	1/4"	31.7	17	
22056606061	3/8"	3/8"	33.0	22	
22056606081	3/8"	1/2"	35.1	26	

Note: Packing 25 unit

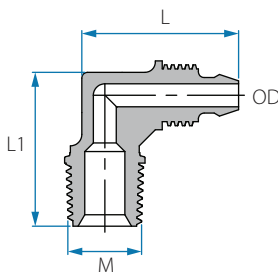
\* Nuts material is Reinforced PP

## Female NPT Barb Block Connector

Cat. No.	Tube OD inch	F (NPT)	L mm	SW	Color
22256605061	5/16"	3/8"	33.8	14	○ White & Grey
22256605081	5/16"	1/2"	37.3	14	
22256606041	3/8"	1/4"	32.9	17	
22256606061	3/8"	3/8"	34.5	17	
22256606081	3/8"	1/2"	38.0	17	

Note: Packing 25 unit

\* Nuts material is Reinforced PP



## BSPT Male Elbow Barb Block Connector

Cat. No.	Tube OD mm	M (BSPT)	L mm	L1 mm	Color
22056946021	6	1/8"	276	22.4	○ White
22056946041	6	1/4"	276	26.8	
22056948021	8	1/8"	276	26.8	
22056948041	8	1/4"	276	26.8	
22056948061	8	3/8"	28.1	29.4	
22056952041	12	1/4"	40.3	31.7	
22056952061	12	3/8"	40.3	32.0	
22056952081	12	1/2"	40.3	36.0	

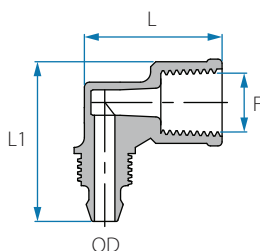
Cat. No.	Tube OD inch	M (BSPT)	L mm	L1 mm	Color
22056904021	1/4"	1/8"	276	22.4	○ White & Navy Blue
22056904041	1/4"	1/4"	276	26.8	
22056905021	5/16"	1/8"	276	26.8	
22056905041	5/16"	1/4"	276	26.8	
22056905061	5/16"	3/8"	28.1	29.4	
22056908041	1/2"	1/4"	40.3	31.7	
22056908061	1/2"	3/8"	40.3	32.0	
22056908081	1/2"	1/2"	40.3	36.0	

Note: Packing 25 unit  
\* Nuts material is Reinforced PP

## NPT Male Elbow Barb Block Connector

Cat. No.	Tube OD inch	M (NPT)	L mm	L1 mm	Color
22256904021	1/4"	1/8"	24.0	27.5	○ White & Grey
22256904041	1/4"	1/4"	29.0	27.5	
22256905021	5/16"	1/8"	24.0	27.5	
22256905041	5/16"	1/4"	29.0	27.5	

Note: Packing 25 unit  
\* Nuts material is Reinforced PP



## BSPT Female Elbow Barb Block Connector

Cat. No.	Tube OD mm	F (BSPT)	L mm	L1 mm	Color
22056046021	6	1/8"	25.1	27.3	○ White
22056046041	6	1/4"	27.0	27.3	
22056048041	8	1/4"	27.0	27.3	

Note: Packing 25 unit  
\* Nuts material is Reinforced PP

# Fittings - PVDF

PVDF



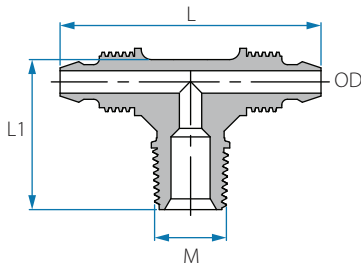
**Working pressure**  
Up to 14 BAR  
(200 psi) at 20 °C



**Temperature**  
-20 °C - 120 °C  
(subject to application)



**Fittings' dimensions**  
refer to tube ID or OD, with respect  
to the common application.

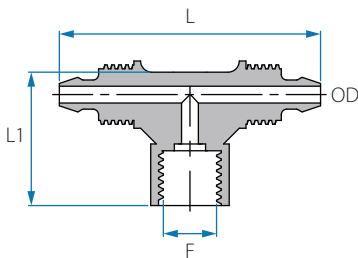


## BSPT Male Barb Block Branch T

Cat. No.	Tube OD mm	M (BSPT)	L mm	L1 mm	Color
22057146021	6	1/8"	46.8	22.6	○ White
22057146041	6	1/4"	46.8	26.8	
22057148021	8	1/8"	46.8	22.6	
22057148041	8	1/4"	46.8	26.8	
22057148061	8	3/8"	47.2	29.4	
22057152041	12	1/4"	67.0	31.6	
22057152061	12	3/8"	67.0	32.0	
22057152081	12	1/2"	67.0	36.0	

Cat. No.	Tube OD inch	M (BSPT)	L mm	L1 mm	Color
22057104021	1/4"	1/8"	46.8	22.6	◐ White & Navy Blue
22057104041	1/4"	1/4"	46.8	26.8	
22057105021	5/16"	1/8"	46.8	22.6	
22057105041	5/16"	1/4"	46.8	26.8	
22057105061	5/16"	3/8"	47.2	29.4	
22057108041	1/2"	1/4"	67.0	31.6	
22057108061	1/2"	3/8"	67.0	32.0	

Note: Packing 25 unit  
\* Nuts material is Reinforced PP

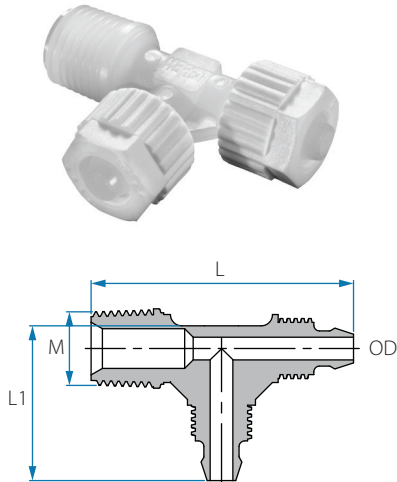


## BSPT Female Branch Barb Block Connector

Cat. No.	Tube OD mm	F (BSPT)	L mm	L1 mm	Color
22057346021	6	1/8"	46.6	25.0	○ White
22057348041	8	1/4"	46.8	28.9	

Cat. No.	Tube OD inch	F (BSPT)	L mm	L1 mm	Color
22057304021	1/4"	1/8"	46.6	25.0	◐ White & Navy Blue
22057305041	5/16"	1/4"	46.8	27.2	

Note: Packing 25 unit  
\* Nuts material is Reinforced PP



## BSPT Barb Block Male Run T

Cat. No.	Tube OD mm	M (BSPT)	L mm	L1 mm	Color
22057246021	6	1/8"	41.9	275	○ White
22057246041	6	1/4"	46.2	275	
22057248021	8	1/8"	41.9	275	
22057248041	8	1/4"	46.2	275	
22057248061	8	3/8"	58.8	43.2	
22057252041	12	1/4"	57.7	40.3	
22057252061	12	3/8"	62.5	40.3	
22057252081	12	1/2"	62.7	40.4	

Cat. No.	Tube OD inch	M (BSPT)	L mm	L1 mm	Color
22057204021	1/4"	1/8"	41.9	275	○ White & Navy Blue
22057204041	1/4"	1/4"	46.2	275	
22057205021	5/16"	1/8"	41.9	275	
22057205041	5/16"	1/4"	46.2	275	
22057205061	5/16"	3/8"	58.8	43.2	
22057208041	1/2"	1/4"	57.7	40.3	
22057208061	1/2"	3/8"	62.5	40.3	
22057208081	1/2"	1/2"	62.7	40.4	

Note: Packing 25 unit

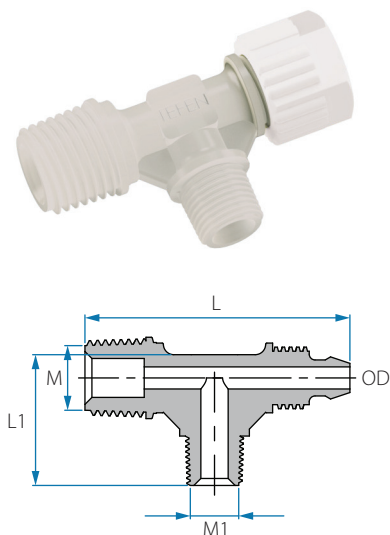
\* Nuts material is Reinforced PP

## NPT Male Barb Block Run T

Cat. No.	Tube OD inch	M (NPT)	L mm	L1 mm	Color
22257204021	1/4"	1/8"	43.4	274	○ White & Grey
22257204041	1/4"	1/4"	48.2	274	
22257205021	5/16"	1/8"	43.5	274	
22257205041	5/16"	1/4"	48.3	274	
22257205061	5/16"	3/8"	67.0	274	
22257208021	1/2"	1/8"	48.0	43.2	

Note: Packing 25 unit

\* Nuts material is Reinforced PP



## BSPT Male Barb Block T - 2 threads

Cat. No.	Tube OD mm	M (BSPT)	M1 (BSPT)	L mm	L1 mm	Color
22057802041	8	1/4"	1/8"	46.2	22.6	○ White

Note: Packing 25 unit

\* Nuts material is Reinforced PP



# Fittings - PVDF

PVDF



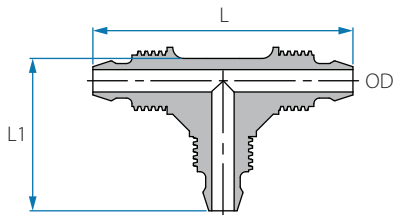
**Working pressure**  
Up to 14 BAR  
(200 psi) at 20 °C



**Temperature**  
-20 °C - 120 °C  
(subject to application)



**Fittings' dimensions**  
refer to tube ID or OD, with respect  
to the common application.



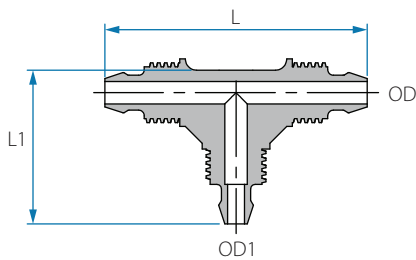
## Union T Barb Block Connector

Cat. No.	Tube OD mm	L mm	L1 mm	Color
22056446461	6	46.8	275	○ White
22056448481	8	46.8	275	
22056452521	12	67.1	40.4	

Cat. No.	Tube OD inch	L mm	L1 mm	Color
22256404041	¼"	46.8	275	● White & Navy Blue
22256405051	⅜"	46.8	275	
22256408081	½"	67.1	40.4	

Note: Packing 25 unit

\* Nuts material is Reinforced PP



## Reducing T Barb Block Connector

Cat. No.	Tube OD mm	OD1 mm	L mm	L1 mm	Color
22055846481	6	8	46.8	274	○ White
22055848461	8	6	46.8	274	

Note: Packing 25 unit

\* Nuts material is Reinforced PP