

ASEPTIQUIK® DC SERIES CONNECTORS



AseptiQuik® DC Connectors are the first all-in-one single-use connection technology to offer both a sterile connect and sterile disconnect. With the AseptiQuik DC Connector, manufacturers can make a quick and easy sterile connection and disconnection, even in non-sterile environments.

AseptiQuik DC's intuitive "CLICK-PULL-TWIST" design enables users to transfer media easily with less risk of operator error. After transfer is complete, the connector features a simple one-step disconnection that maintains media sterility by preventing external organisms from entering into the media flow path. The connector's robust design and automatic shutoff valves provide reliable performance without the need for sanitary clamps, fixtures or tube welders.

FEATURES

CLICK-PULL-TWIST design

Simple one-step disconnection

Membrane pull tabs

Robust construction

CPC Click

Market availability

BENEFITS

Intuitive three-step connection process reduces risk of operator error

Maintains media sterility in each half by preventing external organisms from entering the flow path

Ensure simultaneous and secure removal of both membranes

Repeatable and reliable performance with no additional hardware required

Audible confirmation of completed assembly steps

Open access through multiple supply chain partners

Specifications ● ● ●

PRESSURE:

Up to 60 psi, 4.1 bar

TEMPERATURE:

39°F to 104°F (4°C to 40°C)

STERILIZATION:

Gamma: Up to 50kGy irradiation

Autoclave High Temp (HT) Version: Up to 266°F (130°C) for 30 minutes

TERMINATION SIZES:

1/4", 3/8" and 1/2" ID hose barb
(6.4mm, 9.5mm and 12.7mm)

MATERIALS:

Main Components: Polycarbonate (white), USP Class VI, ADCF

Lock Ring: Polycarbonate (blue), USP Class VI, ADCF

Pull Tabs:
Polycarbonate (blue, standard version), USP Class VI, ADCF
Polycarbonate (white, HT version), USP Class VI, ADCF

Caps: Polypropylene (clear), USP Class VI, ADCF

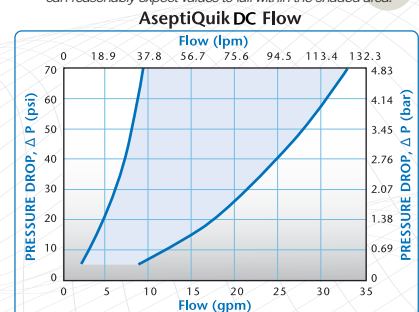
Seals: Silicone (clear), platinum-cured, USP Class VI, ADCF

Membrane:
Polyethylene (standard version), USP Class VI, ADCF
Hydrophobic polyethersulfone (HT version), USP Class VI, ADCF

Springs: 316L stainless steel

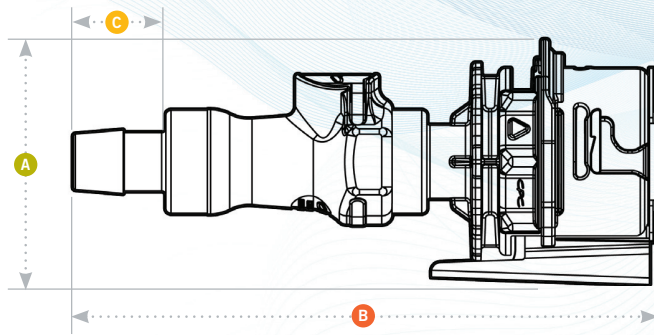
Mates with standard AseptiQuik halves:
AQCDC inserts mate with standard AQC bodies
AQCDC bodies mate with standard AQC inserts

This graph is intended to give you a general idea of the performance capabilities of each product line. The shaded area of the graph represents the operating range of the product family, i.e. upper and lower values are shown. Therefore, depending on the exact coupling configurations selected, you can reasonably expect values to fall within the shaded area.



ASEPTIQUIK® DC SERIES DIMENSIONS

- A = Height/Diameter
- B = Total Length
- C = Hose Barb Length



Coupling Bodies • POLYCARBONATE



TERMINATION
 1/4" HOSE BARB
 3/8" HOSE BARB
 1/2" HOSE BARB

PART NO.
 AQCDC17004
 AQCDC17006
 AQCDC17008

FLOW
 1/4"
 3/8"
 3/8"

A
 2.36 (59.9)
 2.36 (59.9)
 2.36 (59.9)

B
 5.33 (135.4)
 5.33 (135.4)
 5.62 (142.7)

C
 0.60 (15.2)
 0.60 (15.2)
 0.89 (22.6)

Coupling Inserts • POLYCARBONATE



TERMINATION
 1/4" HOSE BARB
 3/8" HOSE BARB
 1/2" HOSE BARB

PART NO.
 AQCDC22004
 AQCDC22006
 AQCDC22008

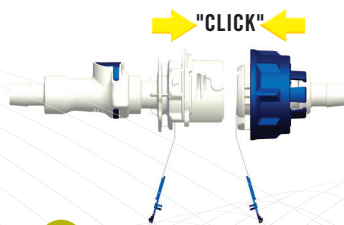
FLOW
 1/4"
 3/8"
 3/8"

A
 2.50 (63.5)
 2.50 (63.5)
 2.50 (63.5)

B
 5.41 (137.4)
 5.41 (137.4)
 5.70 (144.8)

C
 0.60 (15.2)
 0.60 (15.2)
 0.89 (22.6)

CLICK-PULL-TWIST Assembly Procedure



1
 Align male and female couplings, push together until audible "CPC Click" confirmation.
 Slight rotation of lock ring may be required for proper alignment prior to connection.



2
 Snap membrane pull tabs together and pull from connector.



3
 Twist the blue lock ring clock-wise until "CPC Click" and rib to arrow alignment confirms secure final connection.

To Disconnect



When fluid transfer is finished, press the thumb latch down to complete the sterile disconnection. Both halves will remain sterile.