

# ASEPTIQUIK® S SERIES CONNECTORS



## AseptiQuik® S Small Format 1/8" and 1/4" Connectors

provide quick and easy sterile connections for small-flow applications, even in non-sterile environments. The "FLIP-CLICK-PULL" design of AseptiQuik S enables users to easily transfer small volumes of media with less risk of operator error. The connector's genderless and robust design provides reliable performance without the need for clamps, fixtures or tube welders. Biopharmaceutical manufacturers can now make 1/8" and 1/4" sterile connections with the quality and market availability they expect from the leader in single-use connection technology.

### FEATURES

- Genderless design
- FLIP-CLICK-PULL
- Integrated pull tab covers
- Robust construction
- CPC Click

### BENEFITS

- Eases single-use systems specifications with one part number for both halves
- Intuitive three-step connection process reduces risk of operator error
- Provide pre-assembly protection and ensure simultaneous removal of both membranes
- Repeatable and reliable performance with no additional hardware required
- Audible confirmation of assembly

## Specifications ● ● ●

### PRESSURE:

Up to 60 psi, 4.1 bar

### TEMPERATURE:

39°F to 104°F (4°C to 40°C)

### STERILIZATION:

**Gamma:** Up to 50kGy irradiation

**AutoClave High Temp (HT) Version:**

Up to 266°F (130°C) for 60 minutes

### TERMINATION SIZES:

1/8", 1/4" and 3/8" ID hose barb (3.2mm, 6.4mm and 9.5mm), 3/4" sanitary and MPC insert

### MATERIALS:

#### Main Components:

Polycarbonate (white), USP Class VI, ADCF

#### Pull Tabs/Caps:

Polycarbonate (blue, standard version), USP Class VI, ADCF

Polycarbonate (white, HT version), USP Class VI, ADCF

#### Seals:

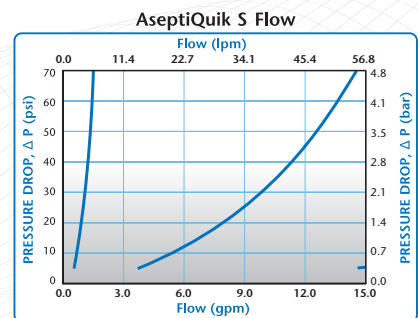
Silicone (clear), platinum-cured, USP Class VI, ADCF

#### Membrane:

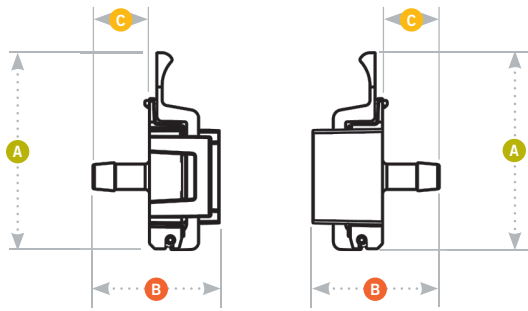
Polyethylene (standard version), USP Class VI, ADCF

Hydrophobic polyethersulfone (HT version), USP Class VI, ADCF, PTFE strip sticker

⚠ This graph is intended to give you a general idea of the performance capabilities of each product line. The shaded area of the graph represents the operating range of the product family, i.e. upper and lower values are shown. Therefore, depending on the exact coupling configurations selected, you can reasonably expect values to fall within the shaded area.



# ASEPTIQUIK® S SERIES DIMENSIONS



- A** = Height/Diameter
- B** = Total Length
- C** = Hose Barb Length

For validation reports, visit [cpcworldwide.com/bio](http://cpcworldwide.com/bio) and for extractables data, contact [info@cpcworldwide.com](mailto:info@cpcworldwide.com)

## Coupling Bodies

### • POLYCARBONATE with Blue Pull Tabs



**TERMINATION**  
 1/8" HOSE BARB  
 1/4" HOSE BARB  
 3/8" HOSE BARB  
 3/4" SANITARY  
 MPC INSERT

**PART NO.**  
 AQS17002  
 AQS17004  
 AQS17006  
 AQS33012  
 AQS17MPC

**A**  
 2.25  
 2.25  
 2.25  
 2.25  
 2.25

**B**  
 1.30  
 1.45  
 1.45  
 1.60  
 1.49

**C**  
 0.50  
 0.65  
 0.65  
 0.80  
 0.69

### • POLYCARBONATE HT with White Pull Tabs



**TERMINATION**  
 1/8" HOSE BARB  
 1/4" HOSE BARB  
 3/8" HOSE BARB  
 3/4" SANITARY  
 MPC INSERT

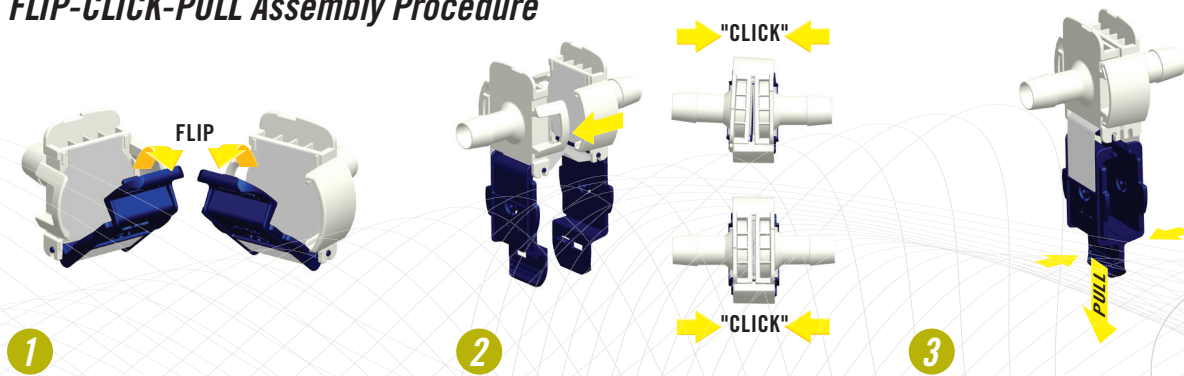
**PART NO.**  
 AQS17002HT  
 AQS17004HT  
 AQS17006HT  
 AQS33012HT  
 AQS17MPCHT

**A**  
 2.25  
 2.25  
 2.25  
 2.25  
 2.25

**B**  
 1.30  
 1.45  
 1.45  
 1.60  
 1.49

**C**  
 0.50  
 0.65  
 0.65  
 0.80  
 0.69

## FLIP-CLICK-PULL Assembly Procedure



**1**  
 Unsnap and flip down the protective pull tab covers on each connector half.

**2**  
 Align the connector halves with the pull tabs hanging down. Slide the two halves together. Independently squeeze each side of the connector until you hear an audible "CPC Click."

**3**  
 To complete the connection, simply snap the pull tabs together by pushing on the CPC logos and pull the membranes from the connector.