

TENTUBE SERIES CONNECTOR



**CONNECT UP TO 10 TUBES
IN ONE EASY MOTION!**

The Tentube™ coupling provides one easy-to-use quick disconnect for up to ten separate fluid lines. The Tentube is available with valves on the body side in panel mount or in-line configurations for maximum design flexibility. The Tentube can connect and disconnect up to ten lines with the use of a simple slide latch. Tubing orientation is ensured by keying the coupling body and insert. Different fluids and tubing sizes can be accommodated by using acetal or polypropylene inserts in three popular sizes.

FEATURES

- Ten line connection
- Separate flow paths
- Insert is keyed to body
- Acetal or polypropylene inserts

BENEFITS

- Fast, efficient operation
- Pressure and/or vacuum in one coupling
- Ensures correct line orientation
- Maximize design flexibility

Specifications ● ● ●

PRESSURE:

Vacuum to 100 psi, 6.9 bar per line

TEMPERATURE:

Acetal fitting inserts:
-40°F to 180°F (-40°C to 82°C)

Polypropylene fitting inserts:
32°F to 180°F (0°C to 82°C)

MATERIALS:

Main components: Nylon

Valves: Acetal

Valve springs: 316 stainless steel

Fitting inserts: Acetal or polypropylene

O-rings: Buna-N with acetal
or EPDM with polypropylene

Panel mount adapter: Acetal

Tube shroud: Acetal

COLOR:

Main components:

Black with red locking latch

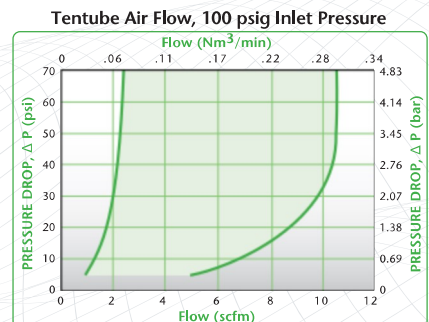
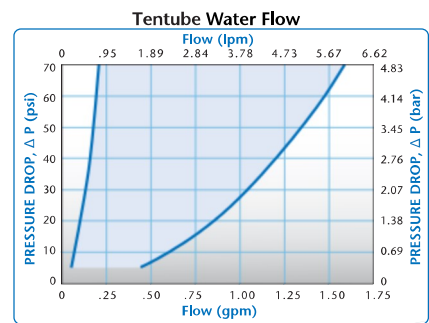
Tube shroud: Black

Panel mount adapter: Black

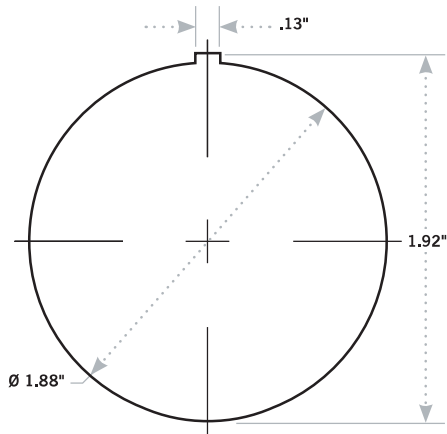
TUBING SIZES:

1/16" to 1/8" ID, 1.6mm to 3.2mm ID

⚠ These graphs are intended to give you a general idea of the performance capabilities of each product line. The shaded area of each graph represents the operating range of the product family, i.e., upper and lower values are shown. Therefore, depending on the exact coupling configurations selected, you can reasonably expect values to fall within the shaded area.



TENTUBE DIMENSIONS



Panel Dimensions

	PANEL OPENING	PANEL THICKNESS MAX.—MIN.
COUPLING BODIES	see drawing	.44— .06

Fitting Bodies • ACETAL/POLYPROPYLENE



	TUBING SIZE	METRIC EQ.	ACETAL STRAIGHT THRU	ACETAL SHUTOFF	POLYPROPYLENE STRAIGHT THRU
TERMINATION COMPLETE COUPLING SET	1/16" ID	1.6mm ID	TT1001	TTD1001	TT100112
	1/8" ID	3.0mm ID	TT10M3	TTD10M3	
COUPLING BODY WITH FEMALE FITTING BODIES	1/16" ID	1.6mm ID	TT1002	TTD1002	TT100212
	1/8" ID	3.0mm ID	TFB1001	TFBD1001	TFB100112
	Without fitting bodies	3.2mm ID	TFB10M3	TFBD10M3	TFB100212
COUPLING INSERT WITH MALE FITTING INSERTS	1/16" ID	3.2mm ID	TFB10	TFBD1002	TFB100212
	1/16" ID	1.6mm ID	TMB1001		TMB100112
	1/8" ID	3.0mm ID	TMB10M3		TMB100212
	Without fitting inserts	3.2mm ID	TMB1002		
			TMB10		

Fitting Inserts • ACETAL/POLYPROPYLENE



	TUBING SIZE	METRIC EQ.	ACETAL STRAIGHT THRU	ACETAL SHUTOFF	POLYPROPYLENE STRAIGHT THRU
TERMINATION IN-LINE HOSE BARB	1/16" ID	1.6mm ID	TMF01		TMF0112
	1/8" ID	3.0mm ID	TMFM3		
IN-LINE HOSE BARB (FEMALE)	1/16" ID	3.2mm ID	TMF02		TMF0212
	1/16" ID	1.6mm ID	TFF01	TFFD01	TFF0112
	1/8" ID	3.0mm ID	TFFM3	TFFDM3	
	1/8" ID	3.2mm ID	TFF02	TFFD02	TFF0212

Note: Acetal bodies and inserts are also available in white. To order, add MWHT to the end of the part number.

Accessories



DESCRIPTION	PART NO.
TUBE SHROUD: snaps into either half	TS10
PANEL MOUNT ADAPTER & NUT: 7/16" max. panel thickness; requires 1.875" diameter hole	TPM10

Note: Use TMF and TFF inserts and bodies for custom designed assemblies.

All measurements are in inches (millimeters) unless otherwise noted. Tubing must meet stated inside and outside diameters. Couplings are pictured with valves unless otherwise noted.