

# TWIN TUBE & SIXTUBE SERIES CONNECTOR

## Twin Tube Specifications

### PRESSURE:

Vacuum to 120 psi, 8.3 bar per line

### TEMPERATURE:

-40°F to 180°F (-40°C to 82°C)

### MATERIALS:

**Main components:** Acetal, ABS

**Valves:** Acetal

**Thumb latch:** Stainless steel

**External springs and pin:** Stainless steel

**O-rings:** Buna-N

**COLOR:** Natural white with aqua latch

### TUBING SIZES:

1/16" to 1/8" ID, 1.6mm to 3.2mm ID

## Sixtube Specifications

### PRESSURE:

Vacuum to 100 psi, 6.9 bar per line

### TEMPERATURE:

**Acetal fitting inserts:** -40°F to 180°F (-40°C to 82°C)

**Polypropylene fitting inserts:** 32°F to 180°F (0°C to 82°C)

### MATERIALS:

**Main components:** Acetal

**Valves:** Acetal

**Fitting inserts:** Acetal, polypropylene

**Thumb latch:** Acetal

**Valve spring:** 316 stainless steel

**O-rings:** Buna-N with acetal or EPDM with polypropylene

**COLOR:** Natural white

### TUBING SIZES:

1/16" to 1/8" ID, 1.6mm to 3.2mm ID

**NOTE:** Caution must be observed when ordering Sixtube assemblies. Body and insert halves which both contain female or male fittings will not couple. Contact CPC for questions and ordering assistance.

**The Twin Tube™ coupling** provides one easy-to-use quick disconnect for two separate fluid lines. The non-valved Twin Tube maintains two individual flow paths in one coupling. Featuring the CPC thumb latch, the Twin Tube can disconnect two lines with the push of a button. The panel mount design keeps a low profile on the front of the equipment panel.

**The Sixtube™ coupling** provides one easy-to-use quick disconnect for up to six separate fluid lines. The Sixtube is available with valves on either side for maximum design flexibility. Featuring the CPC thumb latch, the Sixtube can disconnect up to six lines with the push of a button. The snap-in panel mount design keeps a low profile on the front of the equipment panel.

## FEATURES

Two/six line connection

Separate flow paths

Sixtube insert is keyed to body

Free coupling rotation (Twin Tube)

CPC thumb latch

## BENEFITS

Fast, efficient operation

Pressure and/or vacuum in one coupling

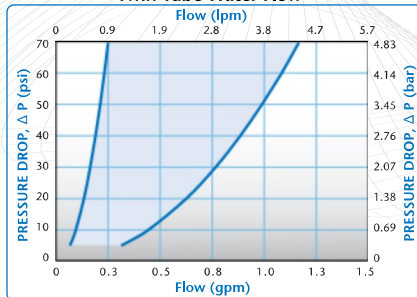
Ensures correct line orientation

Eliminates kinked tubing

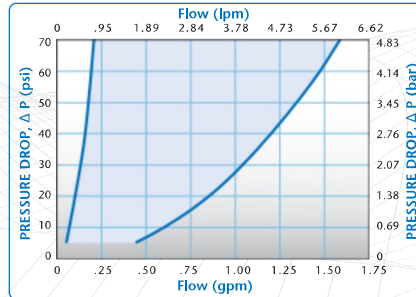
One-hand connection and disconnection

⚠ These graphs are intended to give you a general idea of the performance capabilities of each product line. The shaded area of each graph represents the operating range of the product family, i.e., upper and lower values are shown. Therefore, depending on the exact coupling configurations selected, you can reasonably expect values to fall within the shaded area.

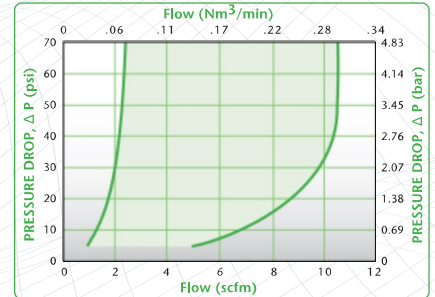
Twin Tube Water Flow



Sixtube Water Flow



Sixtube Air Flow, 100 psig Inlet Pressure



# TWINTUBE & SIXTUBE DIMENSIONS

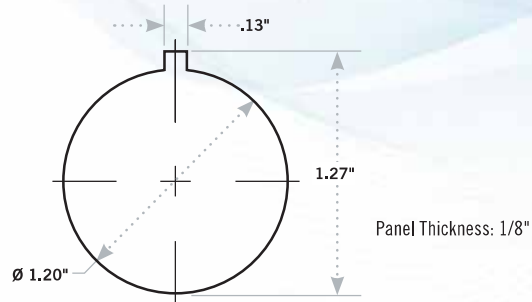
## Twin Tube™ Body Panel Mount Dimensions

	PANEL NUT HEX	PANEL NUT THREAD
COUPLING INSERTS	13/16	11/16-24UNEF

Maximum Panel Thickness: 1/2"  
Minimum Panel Thickness: 0.02"

## Sixtube™ Insert Panel Mount Dimensions



## Twintube Coupling Bodies • ACETAL/ABS



TERMINATION  
PANEL MOUNT  
HOSE BARB

TUBING SIZE	METRIC EQ.
1/16" ID	1.6mm ID
1/8" ID	3.2mm ID

ACETAL STRAIGHT THRU	ABS STRAIGHT THRU
PTC16010	PTC1602096
PTC16020	

## Twintube Coupling Inserts • ACETAL/ABS



TERMINATION  
IN-LINE  
HOSE BARB

TUBING SIZE	METRIC EQ.
1/16" ID	1.6mm ID
1/8" ID	3.2mm ID

ACETAL STRAIGHT THRU	ABS STRAIGHT THRU
PTC22010	PTC2202096
PTC22020	

## Sixtube Coupling Bodies • ACETAL/POLYPROPYLENE



TERMINATION  
WITH MALE FITTING  
INSERTS

TUBING SIZE	METRIC EQ.
1/16" ID	1.6mm ID
	3.0mm ID
1/8" ID	3.2mm ID

ACETAL STRAIGHT THRU	ACETAL SHUTOFF	POLYPROPYLENE STRAIGHT THRU
SXM1701		SXM170112
SXM17M3		
SXM1702		SXM170212

WITH FEMALE  
FITTING BODIES

TUBING SIZE	METRIC EQ.
1/16" ID	1.6mm ID
	3.0mm ID
1/8" ID	3.2mm ID

ACETAL STRAIGHT THRU	ACETAL SHUTOFF	POLYPROPYLENE STRAIGHT THRU
SXF1701	SXFD1701	SXF170112
SXF17M3	SXFD17M3	
SXF1702	SXFD1702	SXF170212

WITHOUT FITTINGS

SX17

## Sixtube Coupling Inserts • ACETAL/POLYPROPYLENE



TERMINATION  
WITH MALE FITTING  
INSERTS

TUBING SIZE	METRIC EQ.
1/16" ID	1.6mm ID
	3.0mm ID
1/8" ID	3.2mm ID

ACETAL STRAIGHT THRU	ACETAL SHUTOFF	POLYPROPYLENE STRAIGHT THRU
SXM4201		SXM420112
SXM42M3		
SXM4202		SXM420212

WITH FEMALE  
FITTING BODIES

TUBING SIZE	METRIC EQ.
1/16" ID	1.6mm ID
	3.0mm ID
1/8" ID	3.2mm ID

ACETAL STRAIGHT THRU	ACETAL SHUTOFF	POLYPROPYLENE STRAIGHT THRU
SXF4201	SXFD4201	SXF420112
SXF42M3	SXFD42M3	
SXF4202	SXFD4202	SXF420212

WITHOUT FITTINGS

SX42

## Accessories

DESCRIPTION  
SIXTUBE PRESSURE PLUGS

PART NO.  
TMPMWH